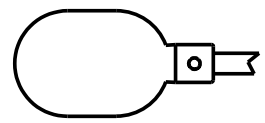


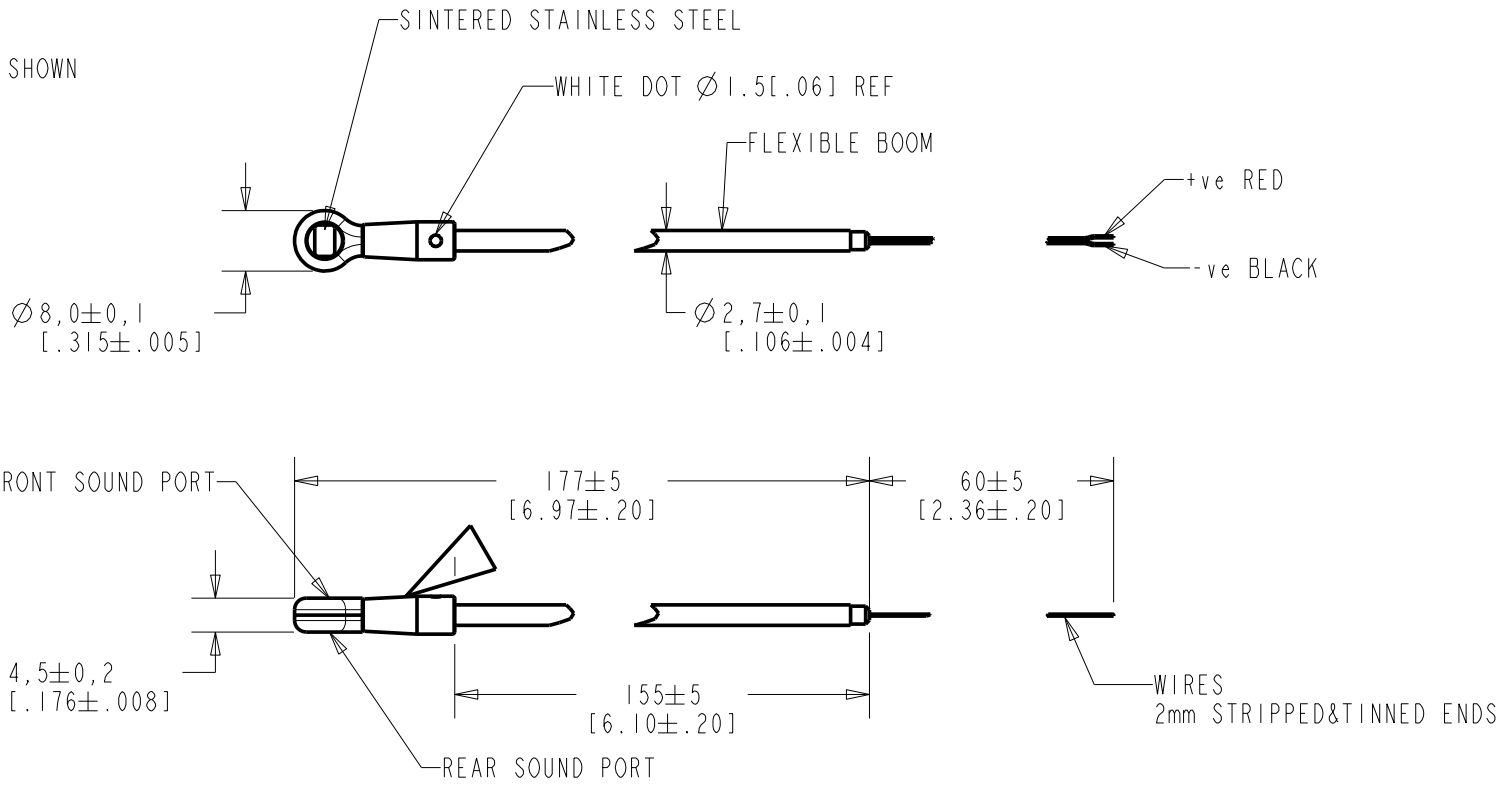
FB-BW-30335-000
SHT 1.1

1 THE FRONT SOUND PORT IS ADJACENT TO THE MODEL NUMBER IDENTIFICATION.

RED CONTROLLED



TOP VIEW
W/WINDSHIELD SHOWN
SCALE 1:1



LENGTH	WIRE COLOR		WEIGHT GRAMS
	+ve	OUTPUT -ve	
	RED	BLACK	13.1

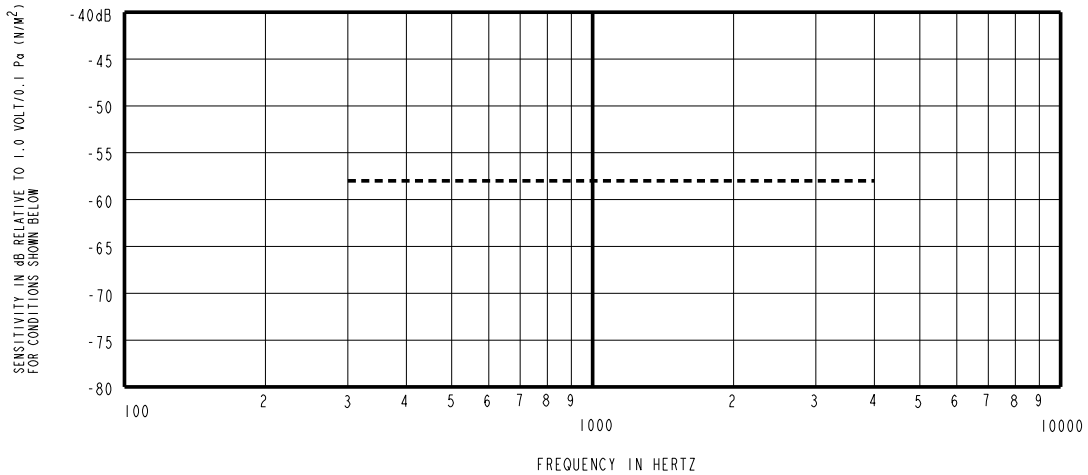
DIMENSIONS IN MILLIMETERS [INCHES]

Revision	C.O. #	Implementation Date	RELEASE LEVEL	REVISION
B	C10107741	7-18-08	Active	B
A	C10106619	3-4-08		

KNOWLES ELECTRONICS
ITASCA, ILLINOIS U.S.A.

SCALE: 1:1	DR. BY TT	DATE 3-4-08
DO NOT SCALE DRAWING	CK. BY GJP	DATE 3-9-08
TITLE: BOOM MICROPHONE FB-BW-30335-000	APP. BY GJP	DATE 3-9-08
OUTLINE DRAWING	SHT 1.1	

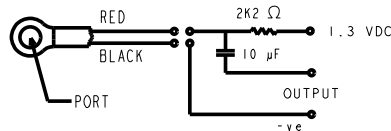
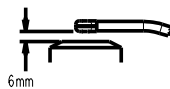
RED CONTROLLED



NOTES:

- MICROPHONE TO BE FUNCTIONAL WITH 10 VDC SUPPLY.
- SENSITIVITY VALUES INDICATED ON THIS SPECIFICATION ARE VALID AT 50% HUMIDITY.
- SENSITIVITY

FREQUENCY	MIN	NOM	MAX
300	-63.0	-59.0	-55.0
1000	-63.0	-59.0	-55.0
4000	-63.0	-59.0	-55.0
- TEST CONDITIONS:
 HEAD OF BOOM EXPOSED TO 74 dB SPL SWEPT SOUND FIELD AT 6mm FROM VOICE APERTURE.
 ARTIFICIAL VOICE: B & K 4227 MOUTH SIMULATOR.
- FOR MICROPHONE CAPSULE SPEC. SEE WP-25993-D63 SHEET 2.1



LEAD IDENTIFICATION & TEST CIRCUIT

Revision	C.O. #	Implementation Date	RELEASE LEVEL	REVISION
B	C10107741	7-18-08	Active	B
A	C10106619	3-4-08		

KNOWLES ELECTRONICS
 ITASCA, ILLINOIS U.S.A.

WHEN TEST LIMITS ARE USED TO ESTABLISH INCOMING INSPECTION ACCEPTANCE/REJECTION CRITERIA, CORRELATION OF TEST EQUIPMENT WITH KNOWLES IS ALSO REQUIRED FOR ELIMINATION OF EQUIPMENT AND TEST METHOD VARIATION




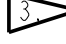
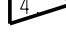
TITLE: **BOOM MICROPHONE** **FB-BW-30335-000**
 PERFORMANCE SPECIFICATION **SHT 2.1**

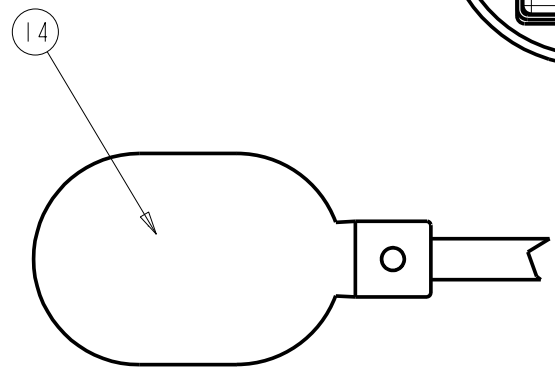
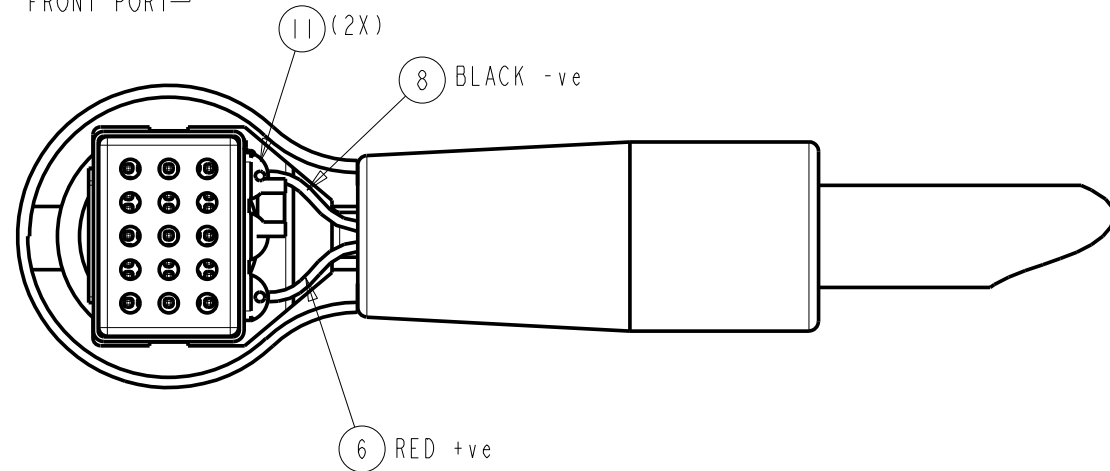
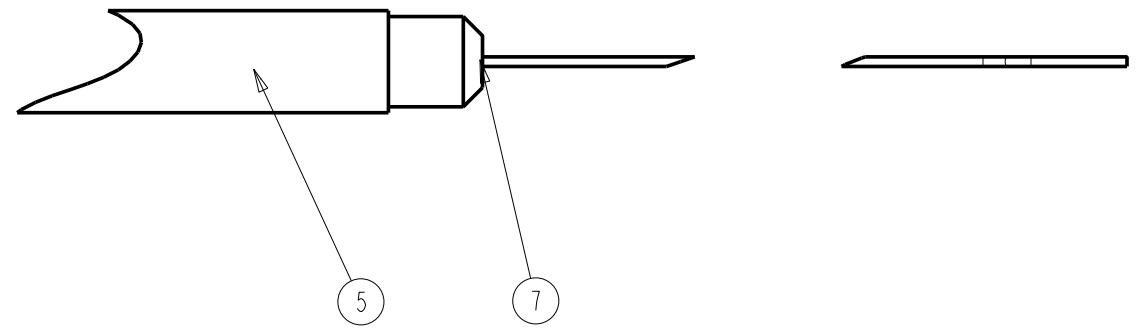
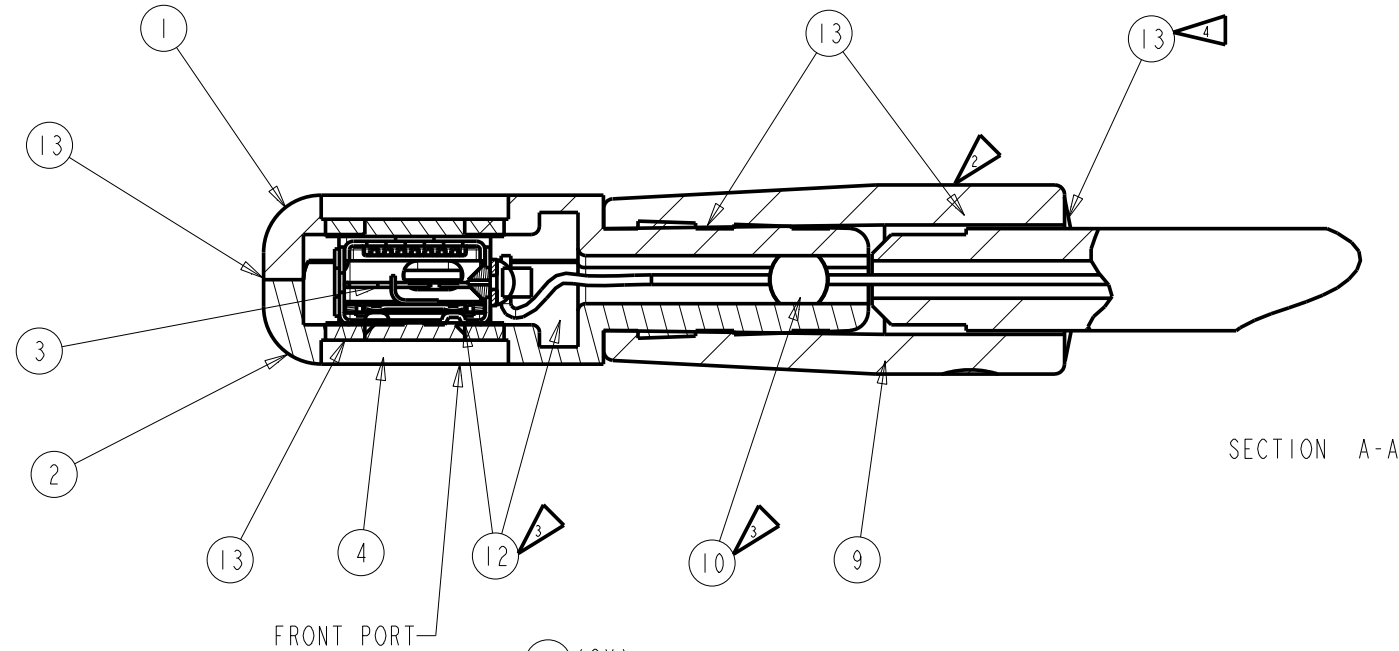
DR. BY	DATE
TT	3-4-08
CK. BY	DATE
GJP	3-9-08
APP. BY	DATE
GJP	3-9-08

FB-BW-30335-000

RED CONTROLLED

NOTES:

- 1. ITEMS NUMBERS (SHOWN THUS ) ON DRAWING CORRESPOND WITH ITEM NUMBERS ON BILL OF MATERIAL.
- 2.  MARKING ON ITEM  TO BE IN LINE WITH FRONT PORT.
- 3.  CONTINUOUS RING OF CEMENT TO FORM ACOUSTIC SEAL.
- 4.  SEAL WHOLE HEAD CAVITY WITH CEMENT, WIRE HOLE MUST BE FILLED, ADHESIVE BUILD UP TO BE 2mm MAX.



DIMENSIONS IN MILLIMETERS [INCHES]

RELEASE LEVEL	REVISION
Active	B
SCALE: 5:1	DO NOT SCALE DRAWING
DR. BY TT	DATE 3-4-08
CH. BY GJP	DATE 3-9-08
APP. BY GJP	DATE 3-9-08

MATERIAL	SEE NOTE 1	FINISH	---
REF.	XD-xxxx	UNLESS OTHERWISE SPECIFIED, DIMENSIONS ARE IN INCHES	THIRD ANGLE PROJECTION
A	c.o. C10106619		
B	c.o. C10107741		
RENAME ASSY NUMBER FROM FB-30335-000 TO FB-BW-30335-000 TT 7-22-08		TITLE	

**KNOWLES ELECTRONICS
ITASCA, ILLINOIS U.S.A.**

**BOOM MICROPHONE
ASSEMBLY**

FB-BW-30335-000
SHEET 3.1

PROPRIETARY NOTE: THIS DOCUMENT CONTAINS INFORMATION WHICH IS THE PROPRIETARY PROPERTY OF KNOWLES ELECTRONICS, LLC. OR ITS AFFILIATED ENTITIES. IT IS ISSUED IN STRICT CONFIDENCE AND SHALL NOT BE REPRODUCED, COPIED, USED, OR DISCLOSED TO ANY THIRD PARTY PARTIALLY OR WHOLLY IN ANY MANNER WITHOUT PRIOR WRITTEN PERMISSION OF, AND MUST BE RETURNED UPON REQUEST BY, KNOWLES ELECTRONICS, LLC.

FB-BW-30335-000			KNOWLES ELECTRONICS		FB-BW-30335-000		
Sheet 4.1			ITASCA, ILLINOIS U.S.A.		Sheet 4.1		
Dr.	By	Date	Subject:	BOOM MICROPHONE ASSEMBLY	Revision		
Ch.	GJP	3-9-08			B	Release Level	
App.	GJP	3-9-08				Active	

COL. 1	2	3	4	Item No.	Line No.
Part or Dwg. no.	Tot. Req.	Nomenclature:	Applicable Specs or Remarks		
VR-105	1	ASSEMBLY BODY/SINTER		1	1
VR-001	1	BODY MOULDING CVR BOOM		2	2
WP-25993-D63	1	MICROPHONE ASSEMBLY		3	3
CA-030	1	SINTER DISC		4	4
FB-224-160	1	FLEXIBLE BOOM 2.7 mm	-	5	5
FB-070-054	1	WIRE (RED)		6	6
13-591	A/R	SILICONE SEALANT		7	7
FB-070-055	1	WIRE (BLACK)		8	8
FB-188	A/R	INTERFACE TUBE		9	9
13-092-1284	A/R	CEMENT		10	10
285-007-001	A/R	SOLDER LEAD FREE		11	11
13-092-1213	A/R	CEMENT		12	12
13-092-812	A/R	CEMENT		13	13
VR-041	1	WINDSHIELD		14	14

RED CONTROLLED

REVISION	A	c.o.	C10106619
	B	c.o.	C10107741
RENAME ASSY NUMBER FROM FB-30335-000 TO FB-BW-30335-000 TT 7-22-08			

FB-BW-30335-000
Sheet **4.1**

PROPRIETARY NOTE: THIS DOCUMENT CONTAINS INFORMATION WHICH IS THE PROPRIETARY PROPERTY OF KNOWLES ELECTRONICS, LLC. OR ITS AFFILIATED ENTITIES. IT IS ISSUED IN STRICT CONFIDENCE AND SHALL NOT BE REPRODUCED, COPIED, USED, OR DISCLOSED TO ANY THIRD PARTY PARTIALLY OR WHOLLY IN ANY MANNER WITHOUT PRIOR WRITTEN PERMISSION OF, AND MUST BE RETURNED UPON REQUEST BY, KNOWLES ELECTRONICS, LLC.

REF: 300-PART-00-PW REV: 0